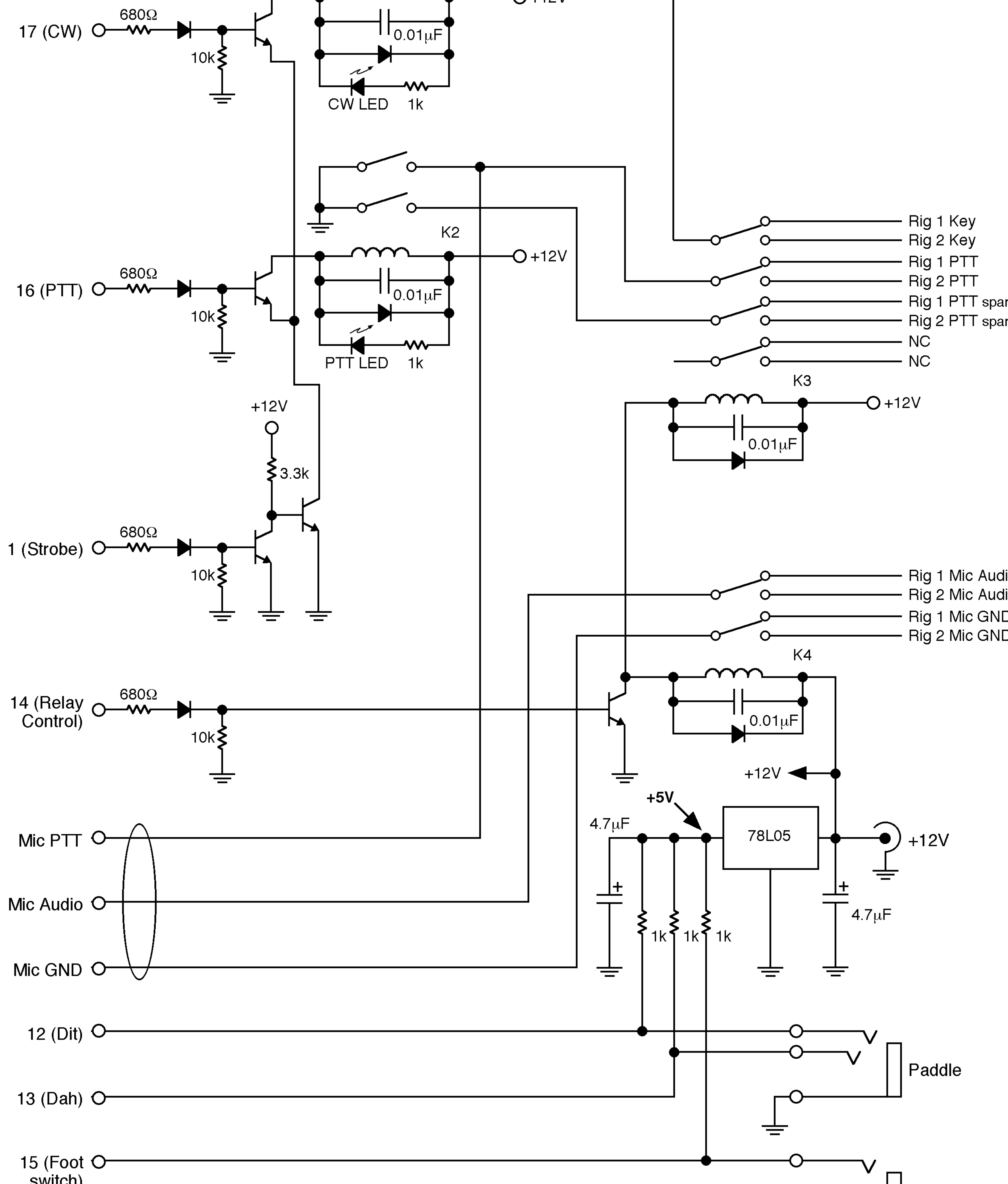


Parallel Port
Pin Number



- Notes:**
- 1) All diodes are 1N4001 or equiv.
 - 2) All transistors are 2N3904, 2N2222, or equiv.
 - 3) DO NOT CONNECT MIC GND lines together.